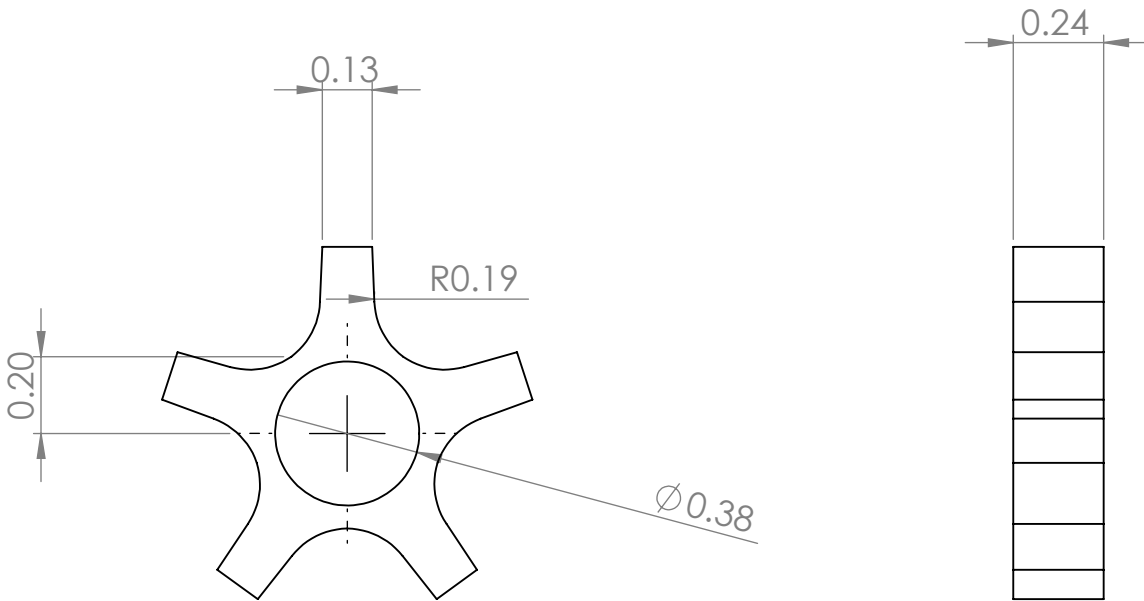


2

1

B

B



A

A

PROPRIETARY AND CONFIDENTIAL
 THE INFORMATION CONTAINED IN THIS DRAWING IS THE SOLE PROPERTY OF <COMPANY NAME>. ANY REPRODUCTION IN PART OR AS A WHOLE WITHOUT THE WRITTEN PERMISSION OF <COMPANY NAME> IS PROHIBITED.

		DIMENSIONS ARE IN INCHES		NAME	DATE
		TOLERANCES:		DRAWN	
		FRACTIONAL \pm		CHECKED	
		ANGULAR: MACH \pm BEND \pm		ENG APPR.	
		TWO PLACE DECIMAL \pm		MFG APPR.	
		THREE PLACE DECIMAL \pm		Q.A.	
		MATERIAL		COMMENTS:	
NEXT ASSY	USED ON	FINISH			
APPLICATION		DO NOT SCALE DRAWING			
SIZE	DWG. NO.	Part1		REV.	
A					
SCALE:2:1	WEIGHT:			SHEET 1 OF 1	